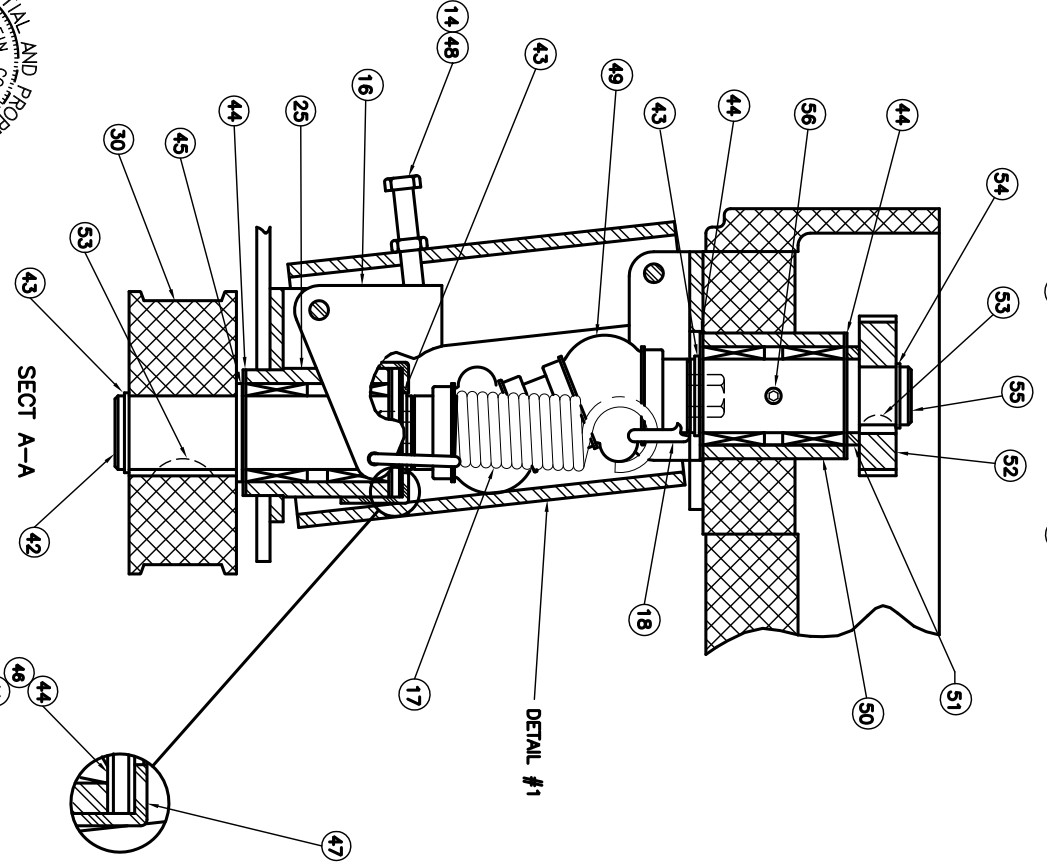
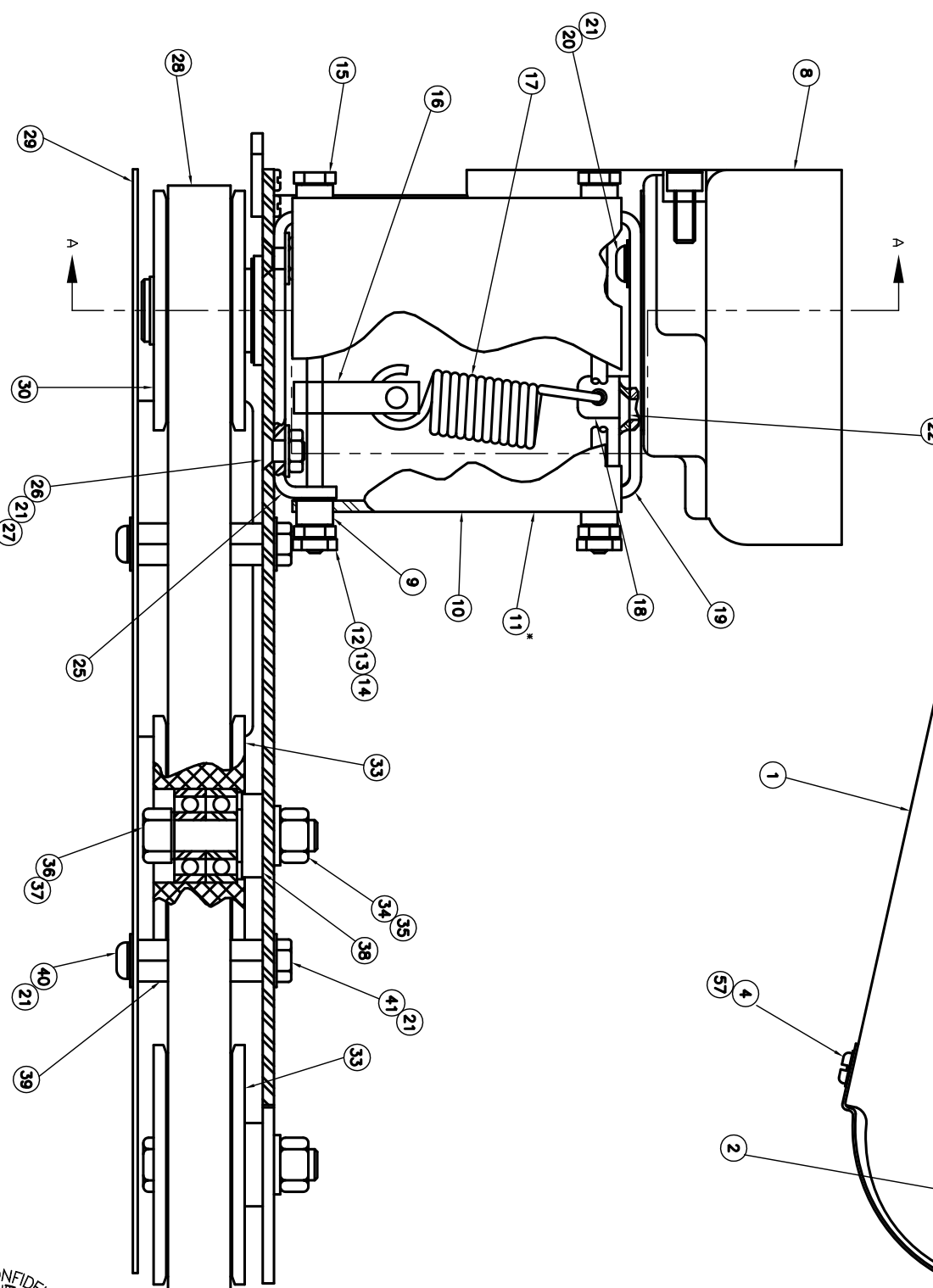
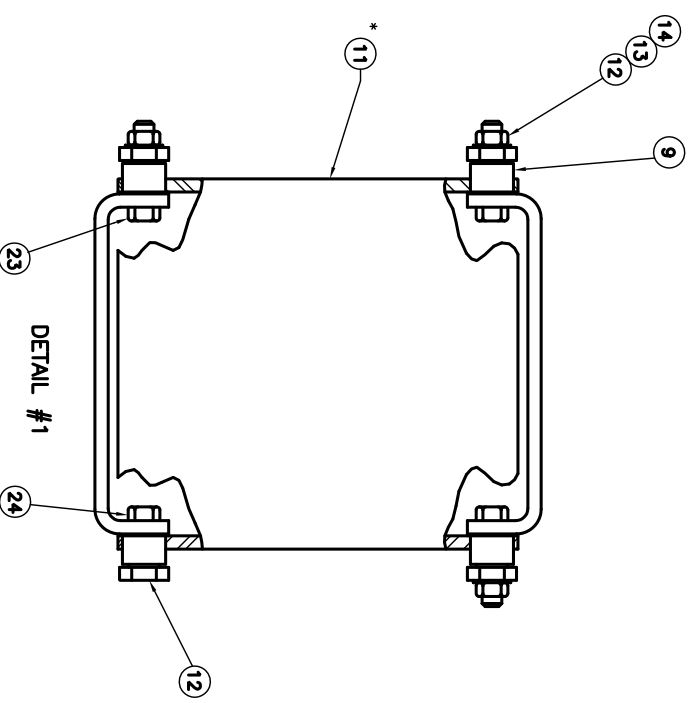
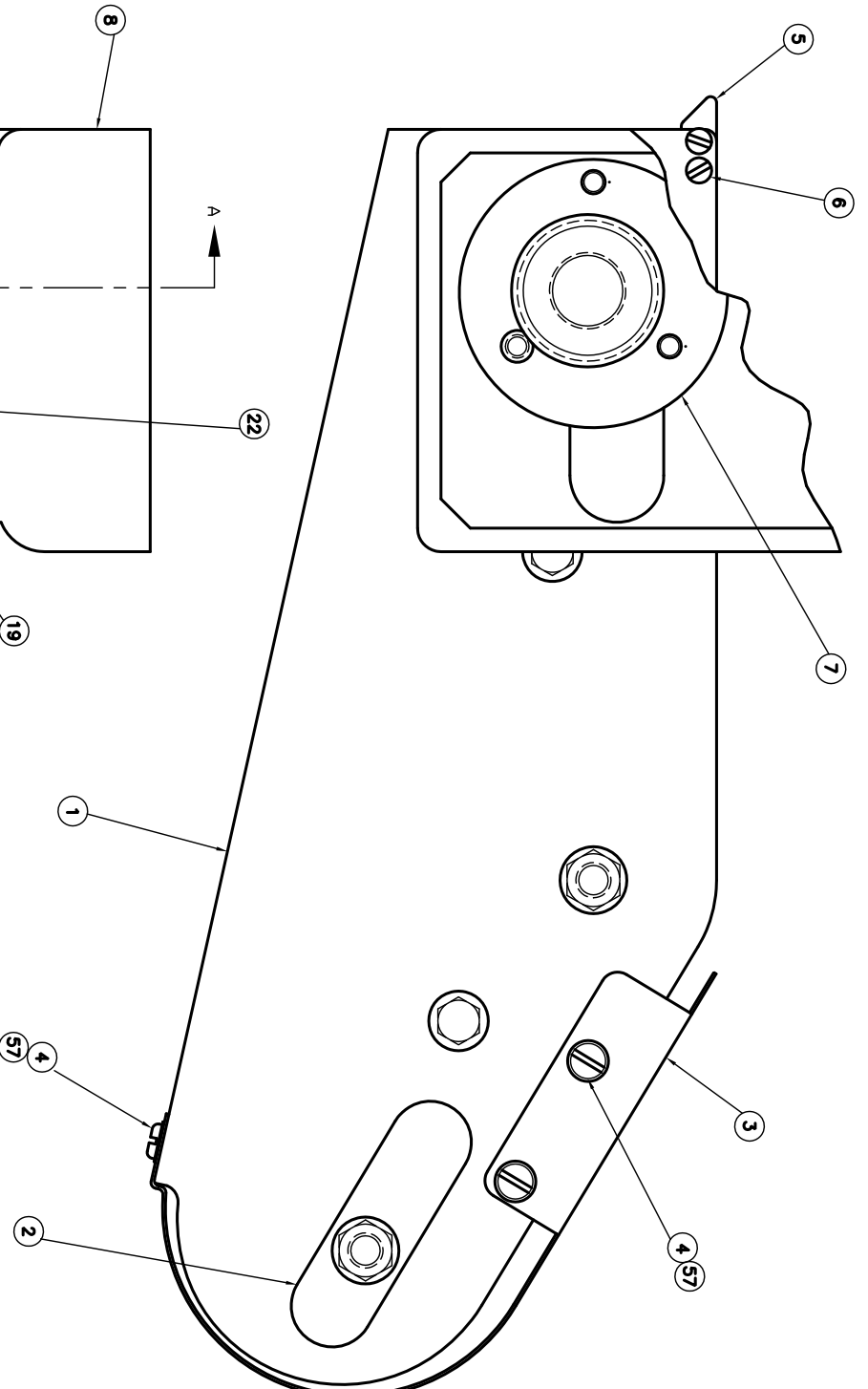


REV	ENH	CHANGES	DATE	DR	CK
V	071492	DEL ITEM 31 (WAS 3 WIT14)	6/07	MTA	RT
W	0831518	SEE SHEET 2	1/09	MTA	



ITEM	QTY	DMG NO.	DESCRIPTION
57	3	WF10	WASHER, FLAT #10
56	1	SPT00008	SCREW, SOC SET #10-32 UNF X 5/8 CP
55	1	A4288	SHAFT, DRIVE-UPPER
54	1	V2542	RING, SNAP
53	2	T3192	KEY, WOODRUFF
52	1	T3155	GEAR, DRIVEN
51	1	A4212	SPACER, GEAR
50	1	A4353	ASSY, TUBE W/BEARING-UPPER
49	1	A4269	JOINT, UNIVERSAL-DOUBLE
48	1	H1020	SCREW, HEX #10-32 UNF X 1
47	1	A2728	SEAL, THRUST BEARING
46	1	P4024	BEARING, THRUST
45	1	A4213	SPACER, PULLEY
44	5	T3129	WASHER, THRUST
43	3	T3167	RING, SNAP
42	1	A4291	SHAFT, DRIVE-LOWER
41	2	H142098	SCREW, HEX 1/4-20 UNC X 5/8
40	2	S8142038	SCREW, SOC BTM 1/4-20 UNC X 3/8
39	2	A4237	SPACER, HEX
38	2	A4220	WASHER, STEP
37	2	A3934	WASHER, IDLER
36	2	H9816134	BOLT, HEX 3/8-16 UNC X 1 3/4
35	2	W358	WASHER, SPRING 3/8
34	2	NH3816	NUT, HEX 3/8-16
33	2	A4394	ASSY, IDLER PULLEY W/BEARING
32			
31			
30	1	A4393	PULLEY, DRIVE 2.88 OD X .75 BORE
29	1	C4391	GUARD, UNDER-LEFT
28	1	P4390	BELT, TIMING-INFEEED
27	3	NJ1420	NUT, HEX JAM 1/4-20
26	3	SPT42012	SCREW, SOC FLAT 1/4-20 UNC X 1/2
25	1	A4272	ASSY, LOWER PIVOT
24	1	H1032716	SCREW, HEX #10-32 UNF X 7/16
23	3	H103278	SCREW, HEX #10-32 UNF X 7/8
22	1	SPT42078	SCREW, SOC FLAT 1/4-20 UNC X 7/8
21	6	WS14	WASHER, SPRING 1/4
20	2	S814201	SCREW, SOC BTM 1/4-20 UNC X 1
19	1	16401	PIVOT, UPPER
18	1	A4372	HANGER, SPRING
17	1	A2670	SPRING, EXTENSION
16	1	A4294	LEVER, SPRING
15	2	A2723	ASSY, ROD PIVOT
14	6	NH1032	NUT, HEX #10-32
13	5	WIT10	WASHER, INT TOOTH #10
12	6	A2722	PIVOT, HEX
11	2	A4382	ASSY, SWING CHANNEL
10	REF	A4378	CHANNEL, SWING (LESS A4258)
9	REF	A4258	BUSHING
8	REF	C4381	SUB. ASSY-HOUSING
7	1	A4276	IMOUNT, TUBE-UPPER
6	2	B54014	SCREW, BTM #5-40 UNC X 1/4
5	1	A4231	FINGER, GUIDE
4	3	B103214	SCREW, BTM #10-32 UNF X 1/4
3	1	B4384	GUARD, BELT=FRONT
2	1	A2727	COVER, BEARING
1	1	B4283	GUARD, LEFT

*** CUSTOMER REPLACEMENT PART # A4352

- 1-A4272
- 2-T3129
- 1-P4024
- 1-A2728

* FOR CUSTOMER USE



REV: _____ INT: _____ DATE: _____

DATE	06/22/94
DR	RS
CK	RS
SCALE	FULL
SHEET	1
OF	2
PART NUMBER	D4380
REV	W
35115	

FISCHBEIN LLC

18 VILVER ROAD, GREENVILLE, SC 29615
 PHONE: 803/752-1100 FAX: 803/752-1101
 WWW.FISCHBEIN.COM

ASSY, INFEEED-HINGED SIDE