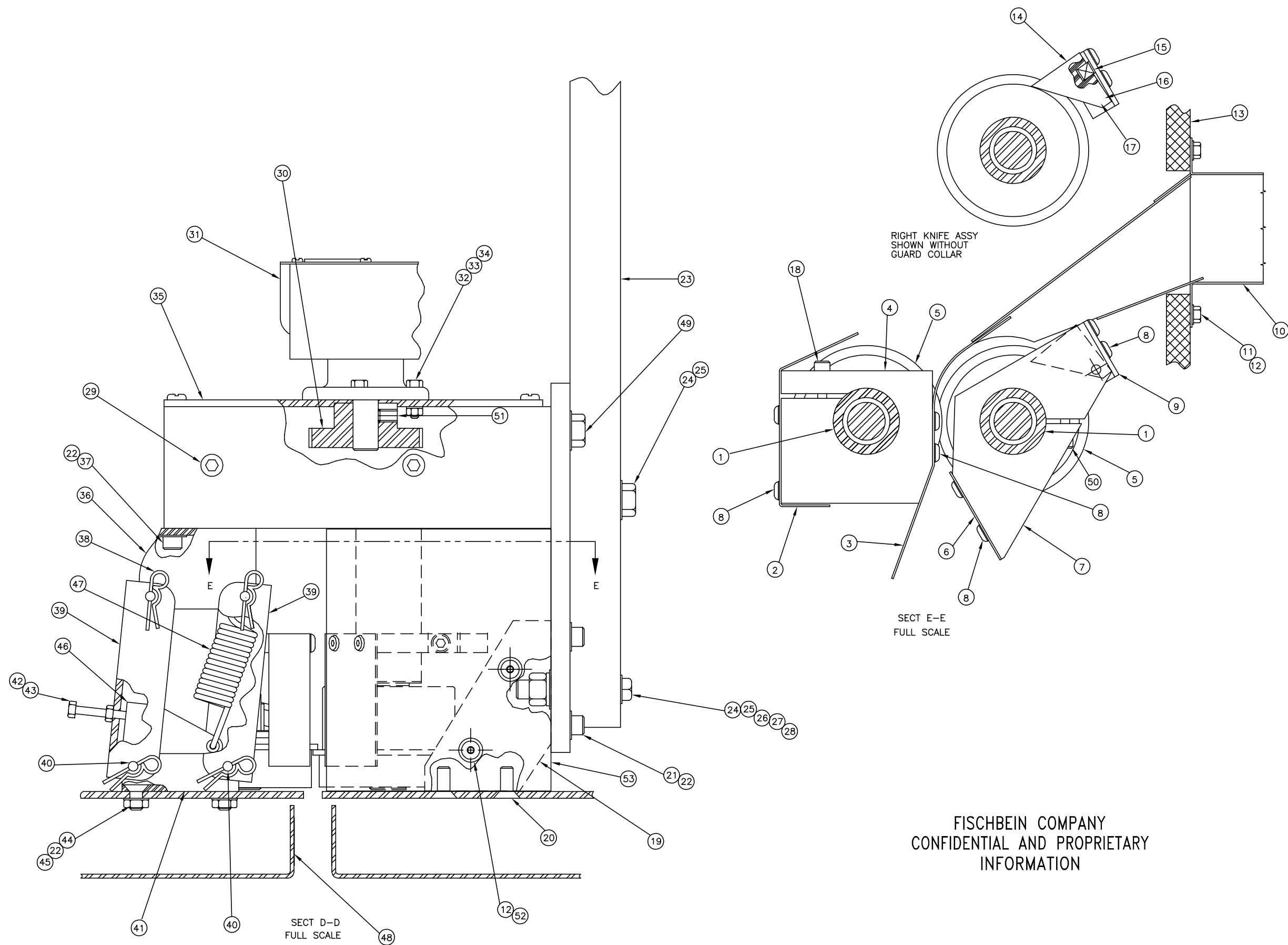


REV	ECN	CHANGES	DATE	DR	CK
N	9826312	SEE SHEET #3	9/98	JS	RS
O	001081	SEE SHEET #1	6/00	AB	



53	1	A2778	GUARD, KNIFE INFEED	B
52	2	SB103238	SCREW, SOC BTN 10-32 X 3/8	-
51	4	SS142038	SCREW, SOC 1/4-20 X 3/8	-
50	1	SC103258	SCREW, SOC CAP 10-32 X 5/8	-
49	REF	H38161	BOLT, HEX 3/8-16 X 1	-
48	3'	B5405	TAPE, UHMW 1" WIDE	A
47	1	A2670	SPRING, EXTENSION	A
46	1	A4294	LEVER, SPRING	A
45	2	NJ1420	NUT, HEX JAM 1/4-20	-
44	2	SF142012	SCREW, SOC FLAT 1/4-20 X 1/2	-
43	1	NH1032	NUT, HEX 10-32	-
42	1	H10321	SCREW, HEX 10-32 X 1	-
41	1	A2622	PIVOT, LOWER-FRONT	A
40	4	A2621	PIN, PIVOT-FRONT	A
39	2	A2620	CHANNEL, FRONT	A
38	8	18137	PIN, COTTER-HAIR	A
37	2	SC142058	SCREW, SOC CAP 1/4-20 X 5/8	-
36	1	A2618	PIVOT, UPPER-FRONT	A
35	REF	A2633	COVER, DRIVE	A
34	REF	NH1032	NUT, HEX 10-32	-
33	REF	WL10	WASHER, LOCK #10	-
32	REF	H103212	SCREW, HEX 10-32 X 1/2	-
31	REF	B4273	ASSY, GEAR BOX	C
30	2	A4222	GEAR, DRIVE	A
29	4	SB142038	SCREW, SOC BTN 1/4-20 X 3/8	-
28	1	NH3816	NUT, HEX 3/8-16	-
27	1	WL38	WASHER, LOCK 3/8	-
26	1	WF38	WASHER, FLAT 3/8	-
25	2	WS38	WASHER, SPRING 3/8	-
24	2	H38162	BOLT, HEX 3/8-16 X 2	-
23	1	A4826	WELDMENT	B
22	8	WS14	WASHER, SPRING 1/4	-
21	4	SC142078	SCREW, SOC CAP 1/4-20 X 7/8	-
20	4	SF142058	SCREW, SOC FLAT 1/4-20 X 5/8	-
19	2	A2602	BRACE	A
18	1	SC103278	SCREW, SOC CAP 10-32 X 7/8	-
17	1	PD3162	PIN, DOWEL 3/16 X 2	-
16	2	11828	RING, "O"	A
15	2	A2774	SPRING, BLOCK	A
14	1	A2759	BLOCK	A
13	REF	C2601	BRACKET, MOUNTING	C
12	4	WS10	WASHER, SPRING #10	-
11	2	H103238	SCREW, HEX 10-32 X 3/8	-
10	1	A2768	WELDMENT, CHUTE	B
9	1	A2760	BRACKET	A
8	8	SB83238	SCREW, SOC BTN 8-32 X 3/8	-
7	1	A2756	COLLAR, GUARD-RIGHT	A
6	1	A2757	GUARD, KNIFE-RIGHT	A
5	REF	A2626	KNIFE	B
4	1	A2762	COLLAR, GUARD-RIGHT	B
3	1	A2763	GUARD, KNIFE-LEFT (INSIDE)	A
2	1	A2765	GUARD, KNIFE-LEFT	B
1	REF	A2603	ASSY, KNIFE DRIVE TUBE W/BRG	A

FISCHBEIN COMPANY
 CONFIDENTIAL AND PROPRIETARY
 INFORMATION

FISCHBEIN CO. WORKMANSHIP STANDARD ENQ-01 IS AN INTEGRAL COMPONENT OF THIS DRAWING	
DR RDS DATE 09-01-94	DATE 9/94
CK RS DATE 9/94	
BREAK ALL SHARP EDGES REMOVE ALL BURRS	
ALL TOLERANCES NON-ACCUMULATIVE	
MATERIAL BOM	NAME ASSEMBLY, AUTO TAPER
FINISH	WHERE USED 35107
DIMENSIONAL TOLERANCES	SCALE FULL
DECIMAL .XXX ±.005	PART NUMBER A2700
DECIMAL .XX ±.02	REV 0
FRACTIONAL ±.030	
ANGLES ± 30 MIN	
(UNLESS OTHERWISE SPECIFIED)	